



Device description

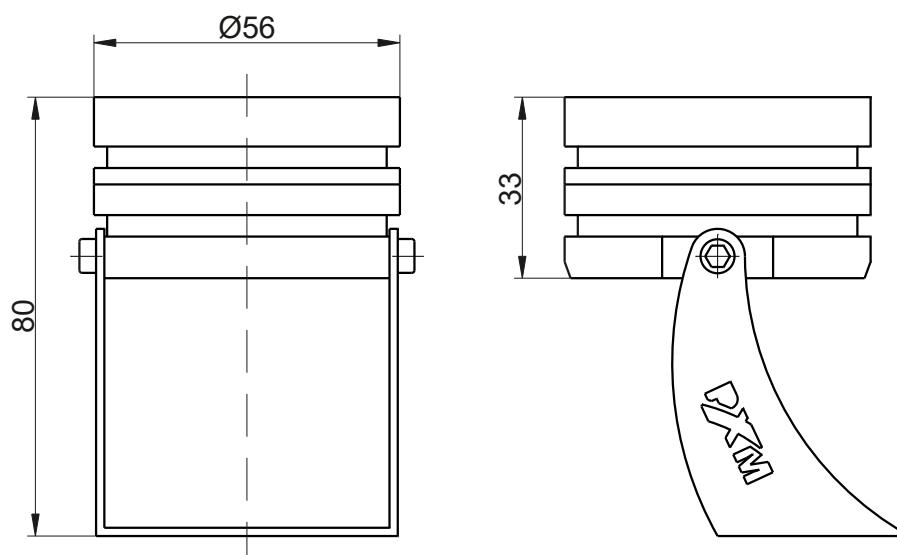
LED lamp PxAqua 3 SH 12V is designed for underwater lighting. It can also be used to illuminate the interior or exterior architectural details.

The lamp uses three high-performance OSRAM Oslon LEDs. LEDs are available in white color, in different color temperatures: 2700K, 3000K, 4000K, 5000K, 5700K. The PX284 may be provided with optics beam angles of 10°, 22° (standard) or 40°. The casing is made of stainless steel (316L).

The device is delivered with a 2m or 0.5m cable (0.5m cable terminated with a Weipu SP13 3 PIN male plug).

The PX284 can only be powered supplied from 12V DC. It can be powered with a voltage LED driver or voltage power supply. It also can be dimmed, when using voltage LED driver, e.g. PX254.

Technical drawing



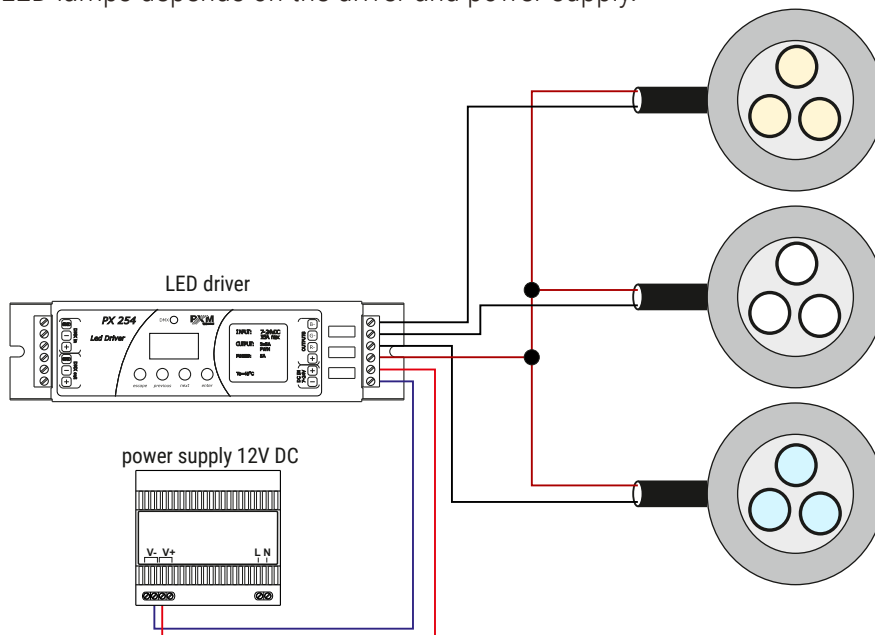
NOTE! When mounting the lamp, you need to leave enough space for cable gland, from which goes out the power cord.

Connection diagram

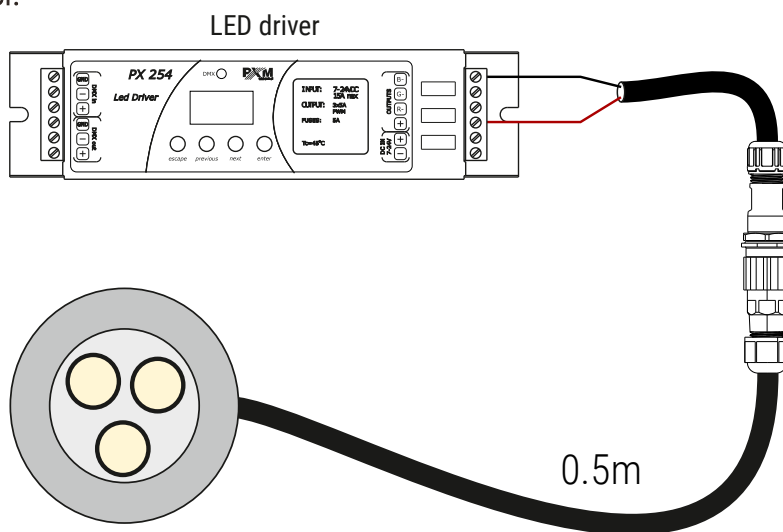
Sample connection of the PX284 to a PX254 driver.

The cables should be connected in the correct color order. For example, the red wire with the + terminal and the black wire with the R- / B- / G- terminal.

The number of LED lamps depends on the driver and power supply.



Example of connecting PX284 lamps to the PX254 driver with an option of a 0.5 m cable with a Weipu SP13 3 PIN connector.



Technical data

type	PX284
number of LEDs	3
power supply	12V DC
current consumption	350mA
IP rate	IP68
housing	stainless steel (316L)
CRI	≥80
beam angles	10°*, 22°, 40°*
LED colors	2700K, 3000K, 4000K, 5000K, 5700K
wire**	2m 0.5m (Weipu SP13 male 3 PIN)
weight	0.5kg
dimensions	diameter: 56mm height: 33mm height with the handle: 80mm

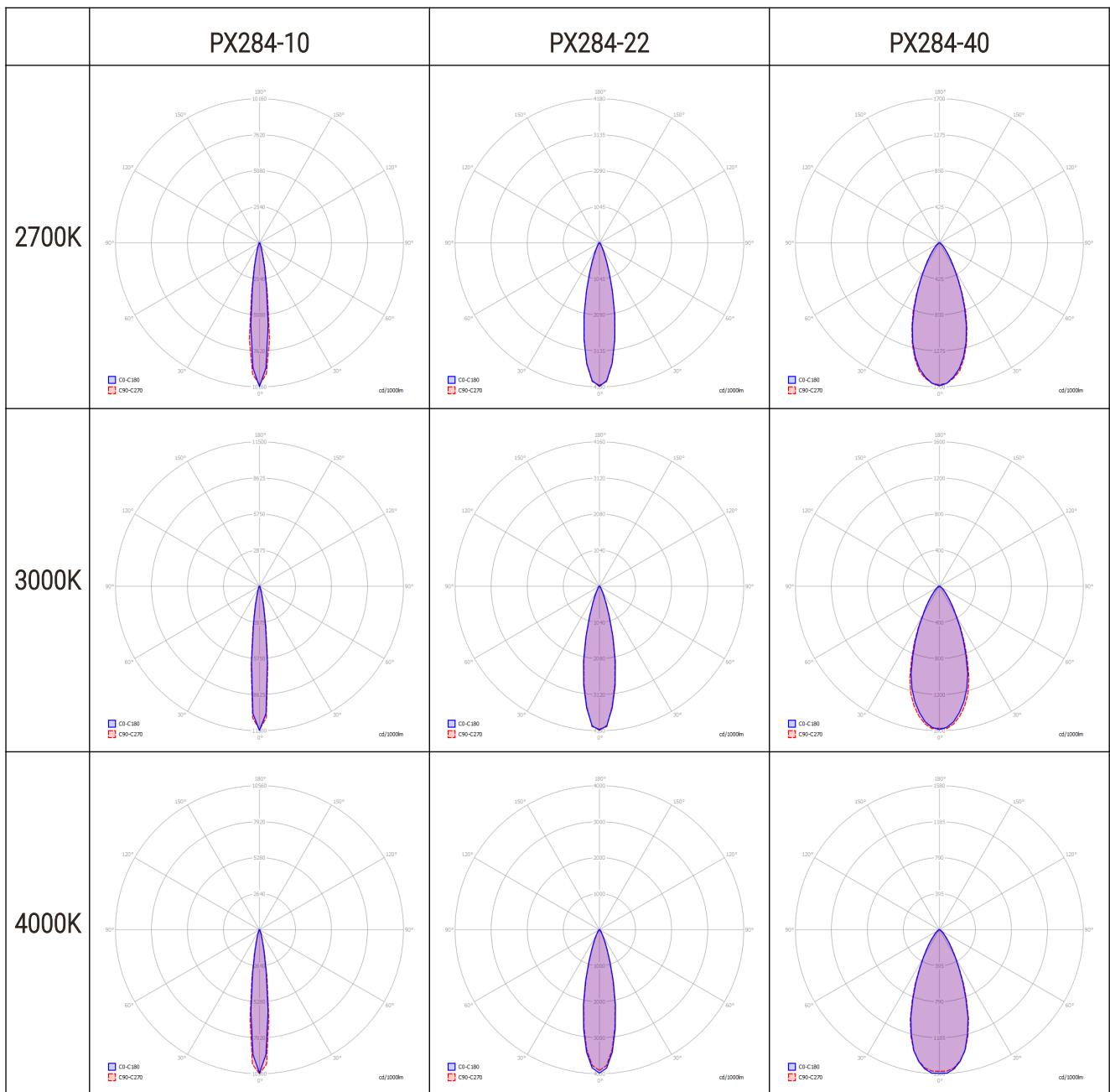
* – available on request

** – depending on the customer's order

Lighting parameters

The table below shows the luminous flux of individual lamps and the lenses and LEDs used in them [lm]:

	2700K	3000K	4000K	5000K
PX284-10	355	296	384	382
PX284-22	333	295	375	352
PX284-40	287	252	341	306



5000K

