



## Device description

---

Gate 4 DMX is a gate that converts Art-Net / sACN signals to four output DMX ports and conversion of DMX512 signal to Art-Net / sACN. The device is designed to run from 230V AC mains. This gate has a solid, metal housing protecting against mechanical damage.

The device comes equipped with an Ethernet interface working in 10/100BaseTX protocol. The gate offers two modes of merging signals from two sources: HTP and LTP. The protocol version used is Art-Net 4 (compatible 1 – 4).

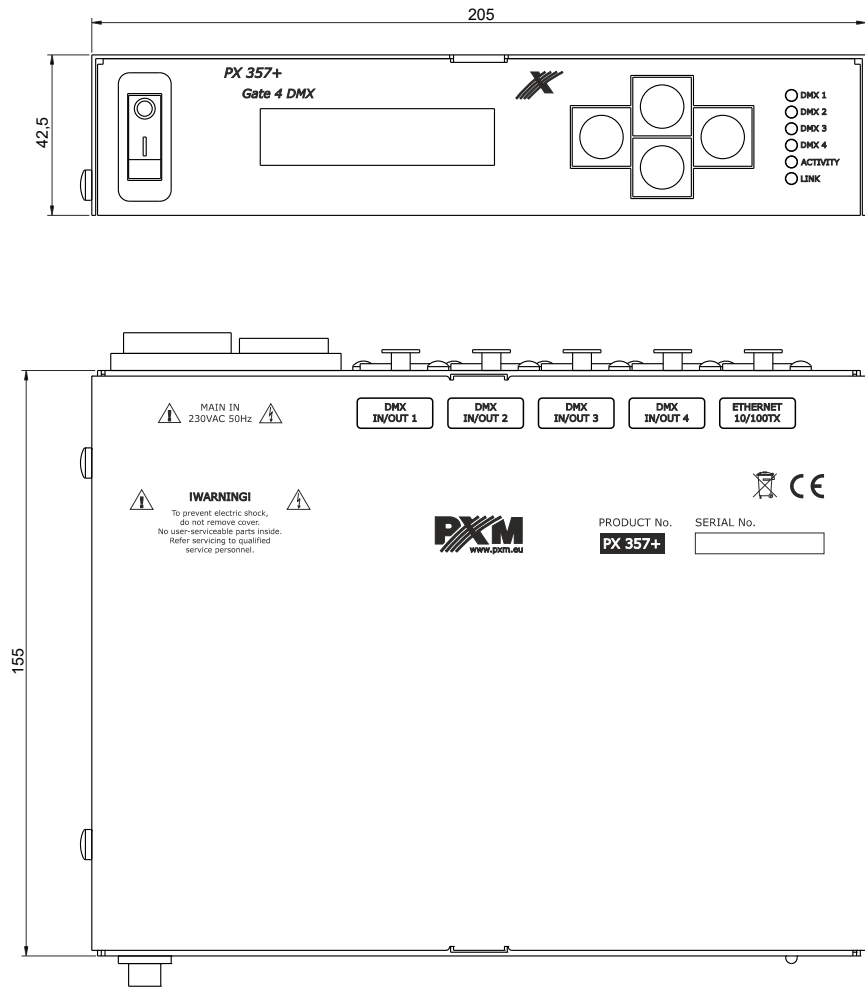
The DMX512 ports are optically isolated XLR connectors, resistant to mechanical damage.

In addition, on the device there are six LED indicator lights: two network ones and four showing port's status.

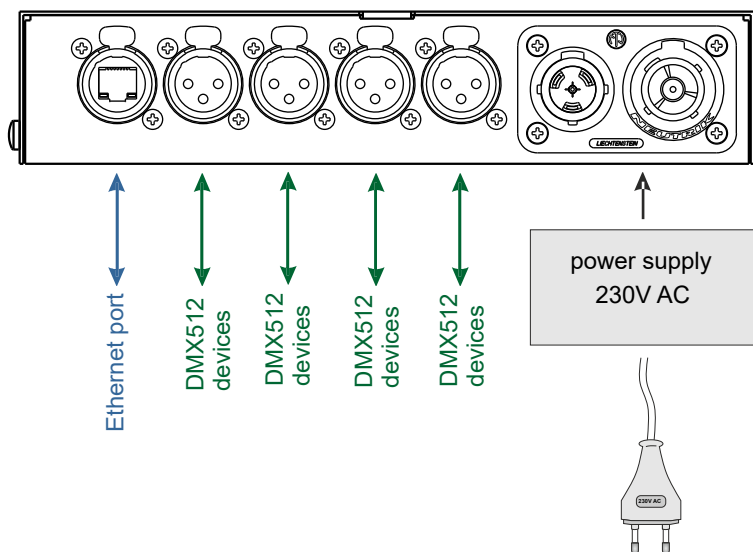
The gate PX357+ has a display and four buttons that allow to change the configuration: Art-Net / sACN, Ethernet and DMX settings (such as: Brake, MAB, MBF and the number of DMX channels transmitted).

The user can order additional components to be shipped with the device, allowing for: installation of a single gate in a RACK cabinet, installation of two gates in a RACK cabinet, suspending a gate (e.g. from a truss).

# Technical drawing



# Connection diagram



## Technical data

---

type	PX357+
DMX lines	4
DMX input	socket 3-pin or 5-pin Neutrik XLR
bi-directional signal conversion	yes
optically isolated XLR connectors	yes
galvanic isolated XLR connectors	yes
Ethernet connector type	Neutrik etherCON
DHCP protocol support	yes
Art-Net version	Art-Net 1, 2, 3, 4
communication method:	Art-Net / sACN, display and buttons
firmware update	through Art-Net 4 protocol
default user presets	2 (2.x.x.x and 10.x.x.x)
indications mode	Normal, Mute, Identify
"No signal Art-Net" mode	yes (holding last value)
synchronous mode support	yes
dark mode (screensaver)	yes
user interface	2 x 16 LCD display, 4 x buttons, 4 bi-color diodes, 2 single-color diodes
power supply	230V AC PowerCON TRUE1 Neutrik
power consumption	8W
weight	1.2kg
dimensions	width: 205mm height: 42,5mm depth: 155mm

"Art-Net™ Designed by and Copyright Artistic Licence Holdings Ltd"



## Mounting systems

<p>D357-H1 (short and long side handle)</p>	
<p>D357-H2 (2 x short side handle and connector)</p>	
<p>D357-H3 (suspension bracket)</p>	