

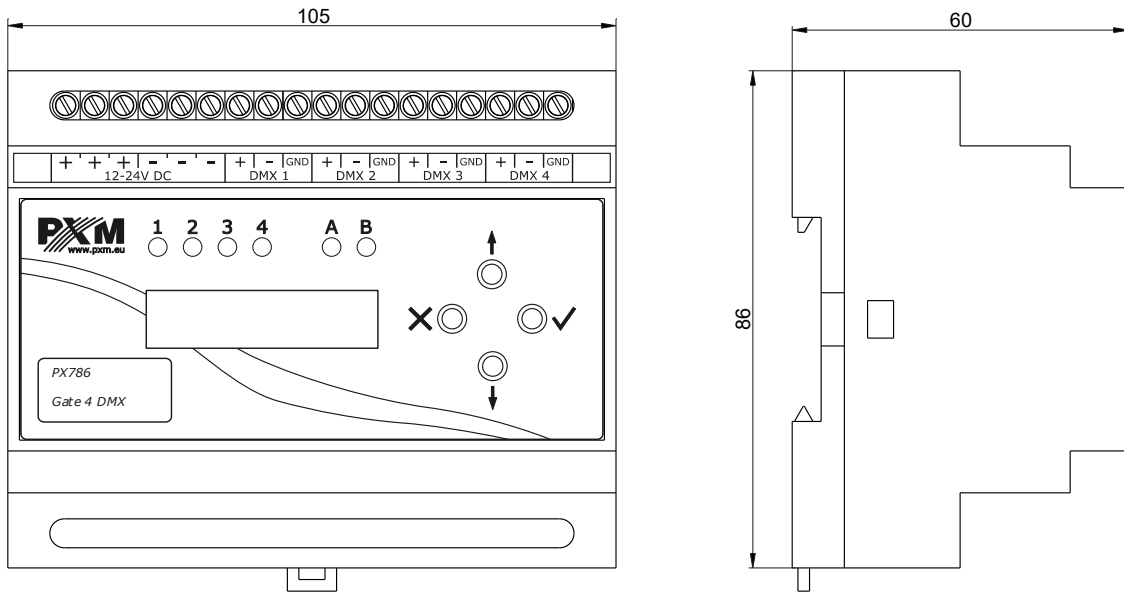


Device description

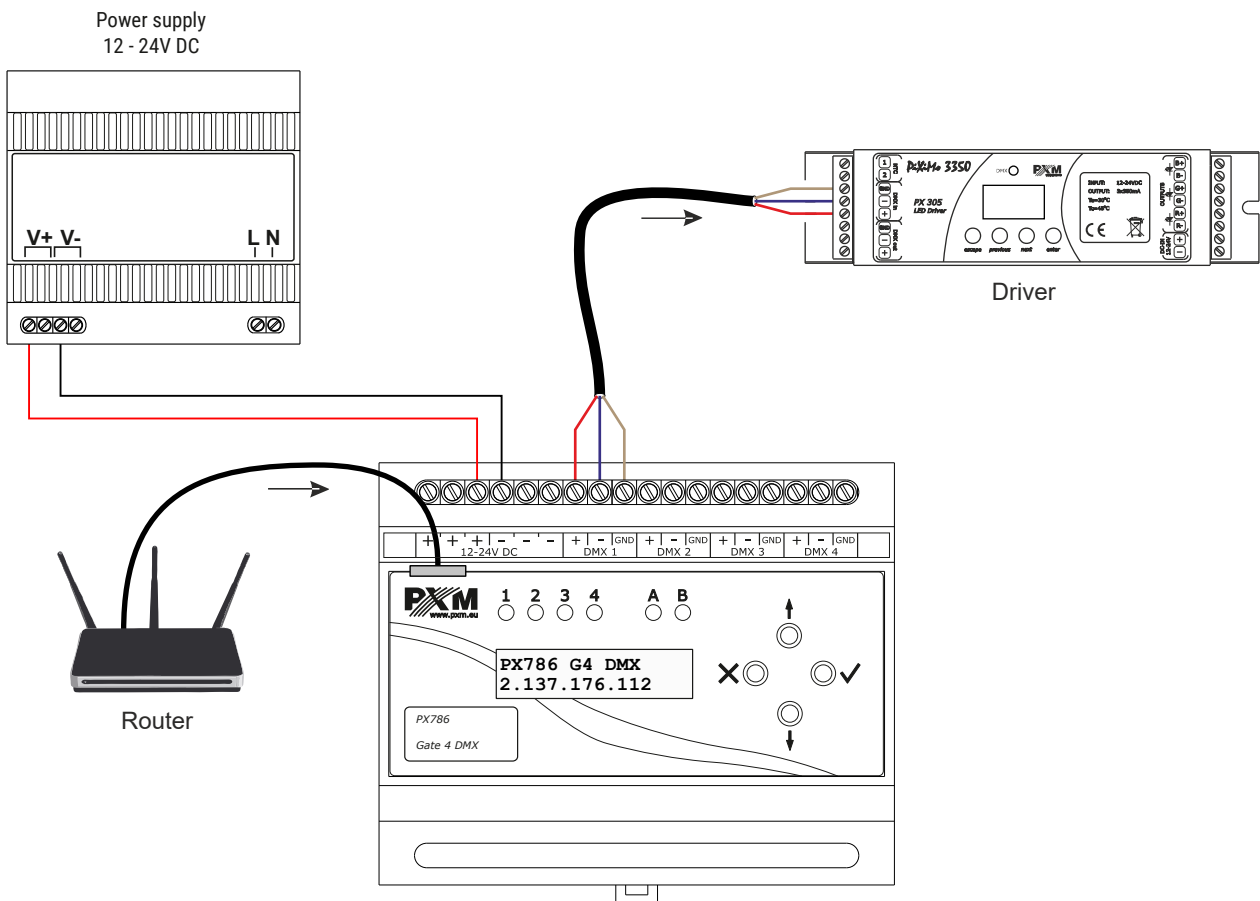
Gate 4 DMX is a gate that converts Art-Net / sACN signals to four output DMX512 ports. It is powered by 12 – 24V DC. The device is enclosed in a housing for a 35mm DIN rail protecting it against mechanical damage.

The device comes equipped with an Ethernet interface working in 10/100BaseTX protocol. The protocol version is Art-Net4 (compatible with Art-Net 1 – 4). DMX512 ports have optical and galvanic isolation. On the housing there are six LEDs installed, four two-color ones responsible for data transfer on DMX ports and two one-color ones informing about the status of the Art-Net / sACN network connection. The gate PX786 has a display and four buttons that allows to change the configuration: Art-Net / sACN, Ethernet and DMX settings (such as: *Brake*, *MAB*, *MBF* and the number of DMX channels transmitted).

Technical drawing



Connection diagram



Technical data

type	PX786
DMX lines	4
DMX input	screw terminals
optical DMX line isolation	yes
galvanic isolation of DMX lines	yes
DHCP protocol support	yes
Art-Net version	Art-Net 1, 2, 3, 4
communication method	Art-Net / sACN, display and buttons
firmware update	through Art-Net 4 protocol
number of user configurations	1
default user presets	2 (2.x.x.x and 10.x.x.x)
indications mode	Normal, Mute, Identify
“No signal Art-Net” mode	yes (holding last value)
synchronous mode support	yes
dark mode (screensaver)	yes
user interface	2 x 16 LCD display, 4 x buttons, 4 bi-color diodes, 2 single-color diodes
power supply	12 – 24V DC
power consumption	max. 4W
weight	0.2kg
dimensions	width: 105mm height: 86mm depth: 60mm