



DATA SHEET
PX816-T
PxArt+ XL
Mono DALI Track

Device description

PX816-T is a professional LED illuminator control via DALI protocol.

By using semiconductor light sources SSL LED COB type and advanced control electronics, a high-class illuminator has been created. Its most advantages include the total lack of ultraviolet radiation, trace amounts of infrared radiation, very high CRI color rendering index, high brightness and low energy consumption.

The device has a handle that allows it to be mounted to GLOBAL Trac[®] Pulse Control bus-bars with an integrated power supply and DALI signal receiver.

The lamp uses a highly efficient LED diode, thanks to which the lamp emits a small amount of heat.

The lamp housing allows to change the lighting direction in two axes.

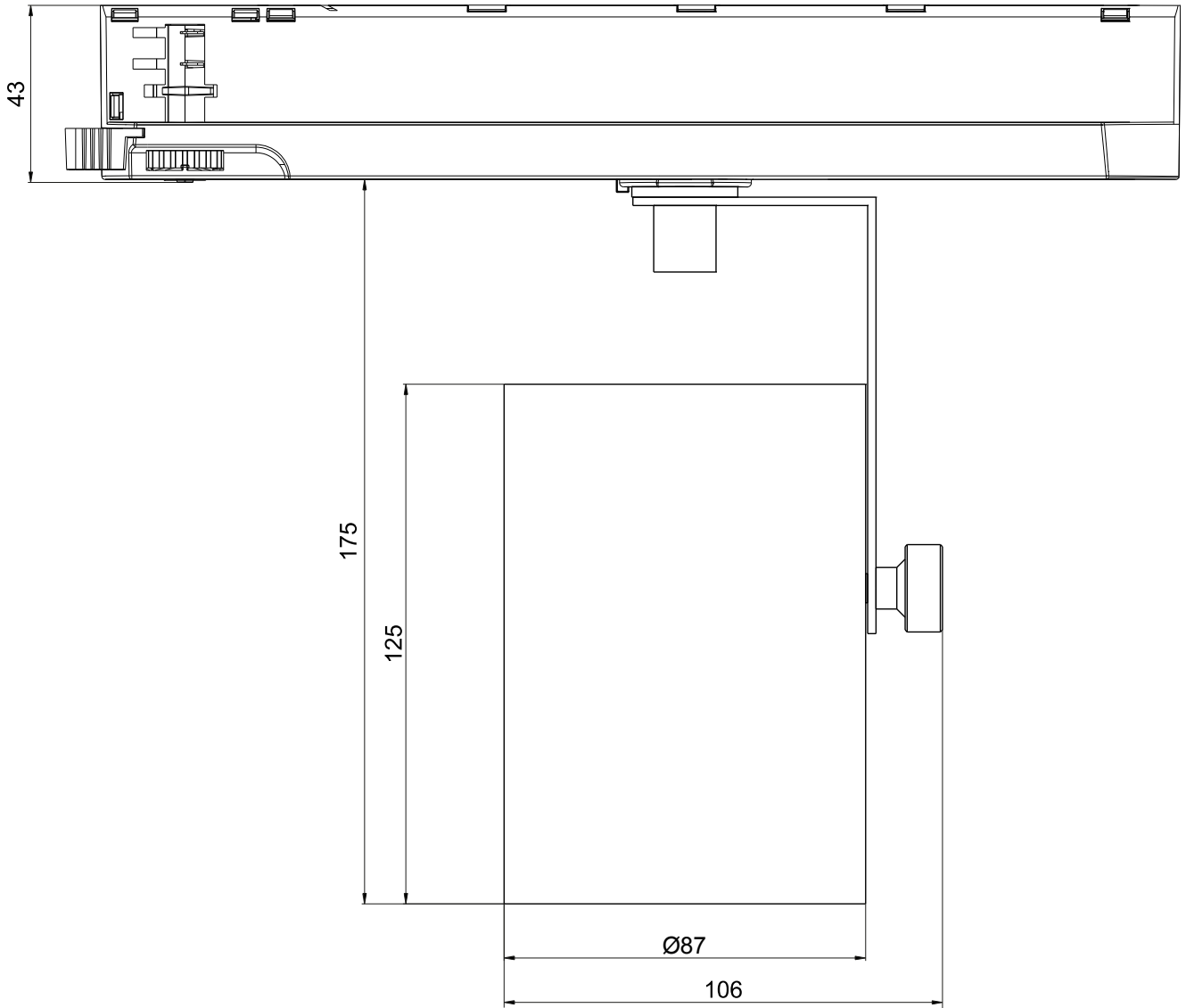
It is possible to buy a honeycomb separately, in addition, the user can replace the reflector on his own.

Models available

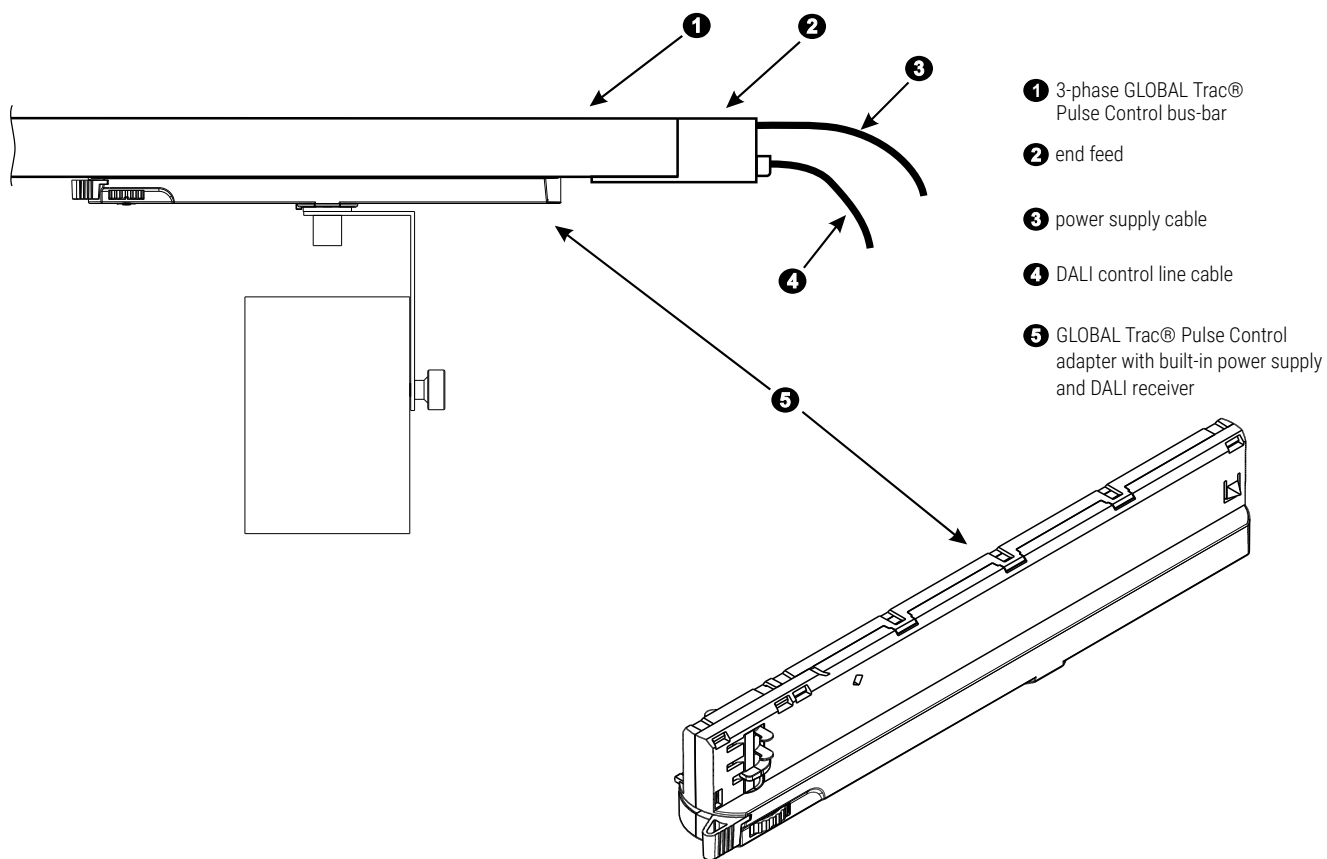
Below is a description of the PX816-T model designations with their explanation:

PX816-T – BB – XX – YYY – Z

| <u>BB – version:</u> | <u>XX – reflector angle:</u> | <u>YYY – CRI and color temperature:</u> | <u>Z – housing colors:</u> |
|----------------------|------------------------------|---|----------------------------|
| XL – large COB | 15 – 15° | X30 – CRI 95, temp. 3000K | 3 – white |
| | 36 – 36° | 930 – CRI 90, temp. 3000K | |
| | 51 – 51° | 950 – CRI 90, temp. 5000K | |
| | | 830 – CRI 80, temp. 3000K | |
| | | 850 – CRI 80, temp. 5000K | |



Connection diagram



Technical data

| | |
|--|---|
| type | PX816-T |
| power supply | 230V AC |
| number of LEDs | 1 (COB) |
| power | 26W |
| total luminous flux | PX816-T-XL-15-930: 2463lm PX816-T-XL-36-930: 2348lm PX816-T-XL-51-930: 2350lm |
| PF (power factor) | 0,94 |
| max. increase of the housing temperature | +50°C |
| color rendering index CRI | min. 80 |
| lifetime of diodes | 50000h |
| reflector angles | 15°, 36°, 51° |
| brightness adjustment range | 0.2 – 100% |
| control | DALI |
| mounting | GLOBAL Trac® Pulse Control |
| available housing colors | white |
| weight | 0.8kg |
| dimensions | width: 106mm height: 175mm diameter: 87mm |