



Device description

The PX837 lamp is a device powered by 24V DC. The lamp uses efficient LEDs that can be controlled using the DMX protocol. They provide many color variants and achieve different brightness. The device is produced in an RGBW version or with white diodes of a selected color temperature (or Dynamic White). The lamp can be equipped with lenses with light beam angles: 10°, 25° or 40°. PX837 is placed in an aluminum housing ensuring tightness at the IP65 level.

A dedicated device for the lamp is the LED Lamp Splitter (PX838).

Wire colors

Version 1

- **white** – V+ (24V DC),
- **brown** – V-,
- **yellow** – DMX- IN,
- **gray** – DMX- OUT,
- **green** – DMX+ IN,
- **pink** – DMX+ OUT.

Version 2

- **red** – V+ (24V DC),
- **red-black** – V-,
- **green-black** – DMX- IN,
- **blue-black** – DMX- OUT,
- **green** – DMX+ IN,
- **blue** – DMX+ OUT.

Variants available

Below is a description of the PX837 model designations with their explanation:

PX837 – WW – YYY – Z

WW – beam angle:

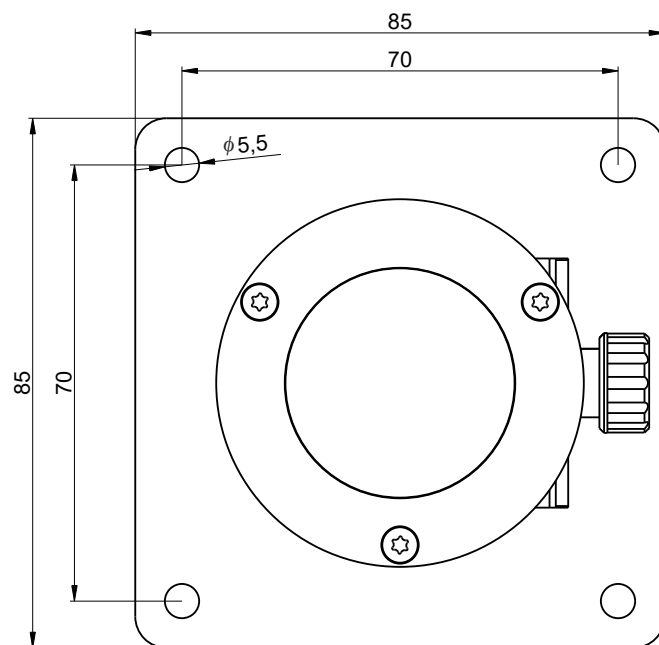
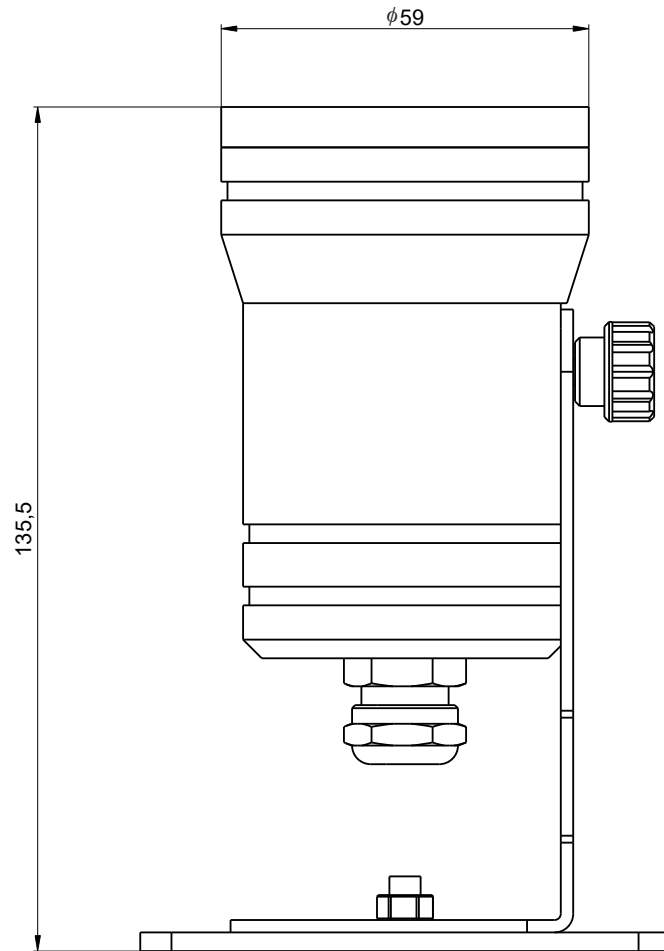
10 – 10°
25 – 25°
40 – 40°

Z – housing color:

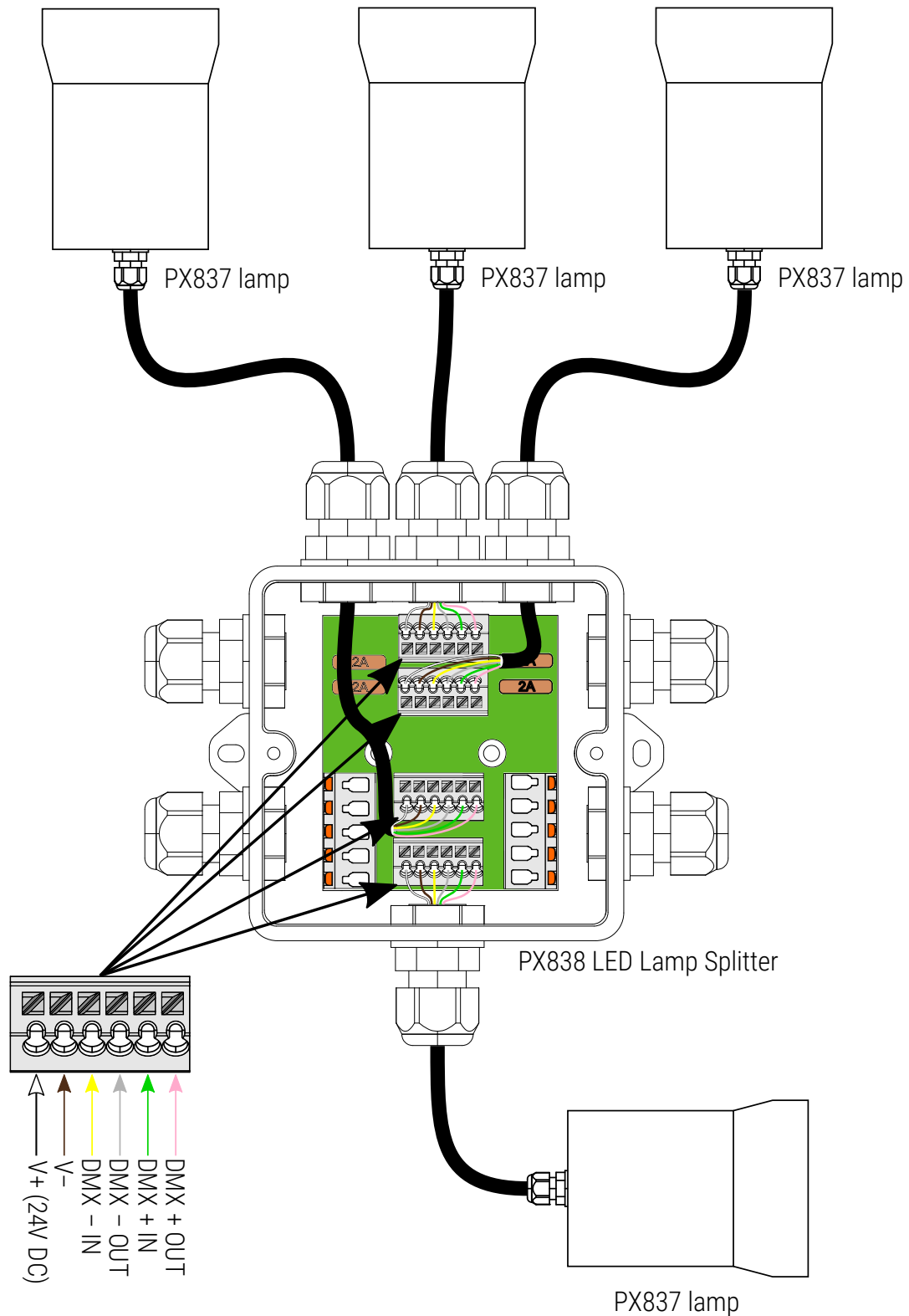
1 – gray
2 – black
3 – white

YYY – CRI / LED color / color temperature:

RGBW – RGBW
927 – CRI 90, 2700K
930 – CRI 90, 3000K
940 – CRI 90, 4000K
950 – CRI 90, 5000K
DW – Dynamic White



Connection diagram



Technical data

type	PX837
power supply	24V DC
number of LEDs	4
diode type	RGBW Mono: 2700K / 3000K / 4000K / 5000K / 5700K DW: 2700K – 5000K
current consumption	max. 0.27A
beam angle	10°, 25°, 40°
control	DMX / RDM
housing	aluminum
available housing colors	white, gray, black
cable length	3m
IP rate	IP65
weight	1.1kg
dimensions	length: 135,5mm (with handle) diameter: 59mm (lamp)