

PX837

PxSpot

4 H 24V DMX

User manual



Table of Contents

1 Description.....	3
2 Safety conditions.....	4
3 Information on version.....	6
4 Connection scheme.....	7
5 Dimensions.....	9
6 Technical data.....	10

Manufacturer reserves the right to make modifications in order to improve device operation.

PXM Marek Żupnik sp.k.
Podłęże 654
32-003 Podłęże
BDO register number 000005972

tel. +48 12 385 83 06
mail: info@pxm.pl
www.pxm.pl

Rev.1-0
03.08.2023

1 Description

The PX837 lamp is a device powered by 24V DC. The lamp uses efficient LEDs that can be controlled using the DMX protocol. They provide many color variants and achieve different brightness. The device is produced in an RGBW version or with white diodes of a selected color temperature (or Dynamic White). The lamp can be equipped with lenses with light beam angles: 10°, 25° or 40°. PX837 is placed in an aluminum housing ensuring tightness at the IP65 level.

A dedicated device for the lamp is the LED Lamp Splitter (PX838).

2 Safety conditions

Before installing, connecting and using the lamp you have to absolutely read this document.

The following symbols are used to underline important information on security conditions on the product and in this manual.



Danger!
Risk of loss of life and health.



Warning!
Fire hazard.



Warning!
LED light emission.
The risk of eye damage.



Warning!
The risk of burns.



Warning!
Read the instruction manual.

Caution!

Do not look at the LEDs, LEDs can cause damage or eye irritation. Do not look at the light source with any optical devices that focus the light rays.



Light is harmful to unprotected eyes, can cause irritation, eye damage or even loss of eyesight.



While working outdoors in normal conditions, the housing unit can heat up to +65°C. Make sure that accidental contact with the device during use is impossible.



In case of improper usage of the product it may cause a risk of serious injury or death because of the threat of fire.

During its installation and use PX837 the following rules must be strictly observed:

1. Installation of the module should be performed by a person holding the appropriate qualifications, according to the instruction manual
2. Lamp may only be connected to stabilized voltage with current-carrying capacity compatible with technical data.
3. All the conductors should be protected against mechanical and thermal damage.
4. In the event of damaging any conductor, it should be replaced with a conductor of the same technical data.
5. All repairs and connections of outputs can only be made with cut off power supply.
6. Do not connect to the power supply to device with visible damage.
7. All sudden shocks, particularly dropping, should be avoided.
8. Do not plug the device into the installation if you suspect that the casing is leaking.

3 Information on version

Below is a description of the PX837 model designations with their explanation:

PX837 – WW – YYY – Z

WW – beam angle:

10 – 10°

25 – 25°

40 – 40°

Z – housing color:

1 – gray

2 – black

3 – white

YYY – CRI / LED color / color temperature:

RGBW – RGBW

927 – CRI 90, 2700K

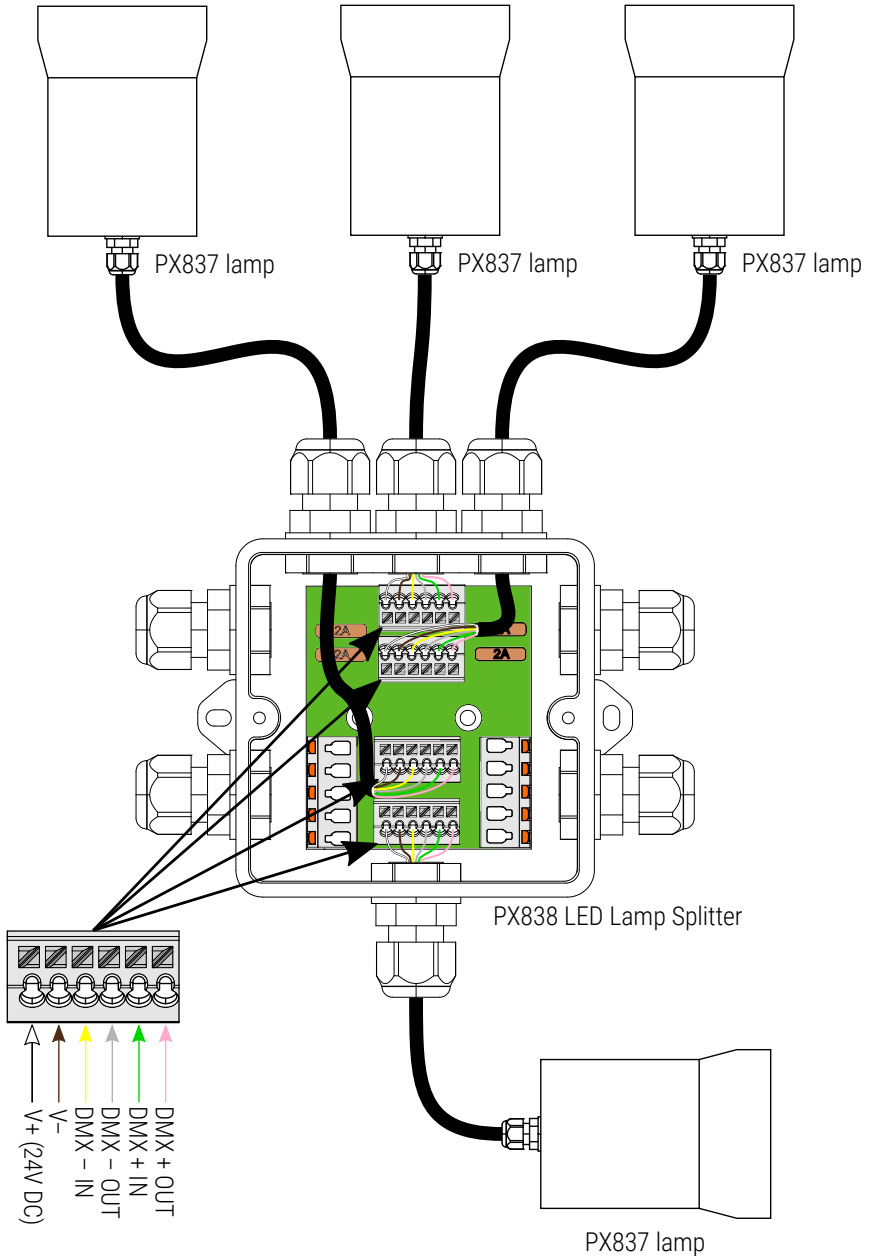
930 – CRI 90, 3000K

940 – CRI 90, 4000K

950 – CRI 90, 5000K

DW – Dynamic White

4 Connection scheme



Wire colors:

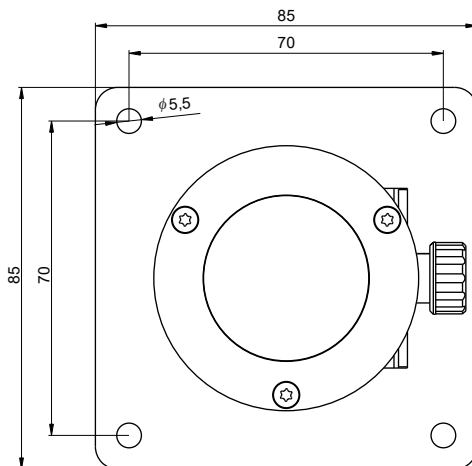
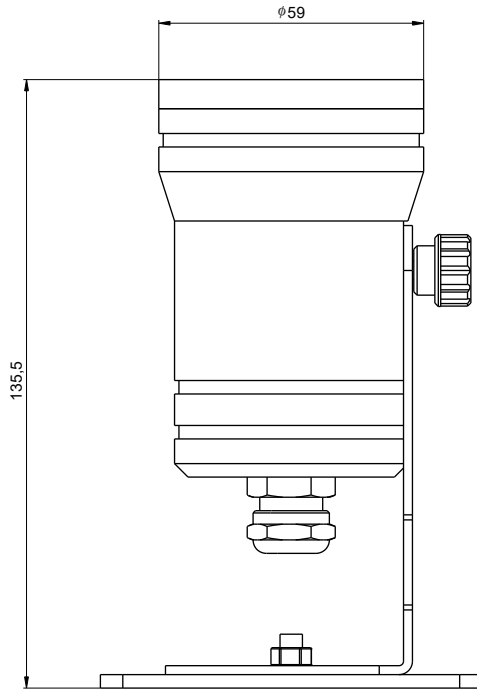
Version 1

- **white** – V+ (24V DC),
- **brown** – V-,
- **yellow** – DMX- IN,
- **gray** – DMX- OUT,
- **green** – DMX+ IN,
- **pink** – DMX+ OUT.

Version 2

- **red** – V+ (24V DC),
- **red-black** – V-,
- **green-black** – DMX- IN,
- **blue-black** – DMX- OUT,
- **green** – DMX+ IN,
- **blue** – DMX+ OUT.

5 Dimensions



6 Technical data

type	PX837
power supply	24V DC
number of LEDs	4
diode type	RGBW Mono: 2700K / 3000K / 4000K / 5000K / 5700K DW: 2700K – 5000K
current consumption	max. 0.27A
beam angle	10°, 25°, 40°
control	DMX / RDM
housing	aluminum
available housing colors	white, gray, black
cable length	3m
IP rate	IP65
weight	1.1kg
dimensions	length: 135,5mm (with handle) diameter: 59mm (lamp)

DECLARATION OF CONFORMITY

PXM Marek Żupnik spółka komandytowa
Podłęże 654, 32-003 Podłęże

we declare that our product:

Product name: PxCSpot 4 H 24V DMX

Product code: PX837

meets the requirements of the following standards, as well as harmonised standards:

PN-EN IEC 63000:2019-01	EN IEC 63000:2018
PN-EN 60598-1:2015	EN 60598-1:2015
PN-EN 62471:2010	EN 62471:2008
PN-EN 61000-4-2:2011	EN 61000-4-2:2009
PN-EN IEC 61000-6-1:2019-03	EN IEC 61000-6-1:2019
PN-EN 61000-6-3:2008	EN 61000-6-3:2007

and meets the essential requirements of the following directives:

2011/65/UE **DIRECTIVE OF THE EUROPEAN PARLIAMENT AND OF THE COUNCIL** of 8 June 2011 on the restriction of the use of certain hazardous substances in electrical and electronic equipment
Text with EEA relevance.

2014/30/UE **DIRECTIVE OF THE EUROPEAN PARLIAMENT AND OF THE COUNCIL** of 26 February 2014 on the harmonisation of the laws of the Member States relating to electromagnetic compatibility (recast)
Text with EEA relevance.


Marek Żupnik spółka komandytowa
32-003 Podłęże, Podłęże 654
NIP 677-002-54-53



mgr inż. Marek Żupnik.