



## Device description

---

PX838 is a device that allows you to connect many LED lamps to one power supply and DMX controller. It is adapted to connect 4 lamps. If all output connectors are not occupied in the LED splitter, jumpers should be used between the pins of the DMX control signal.

The splitter is placed in a plastic housing with IP65 protection class.

The product is dedicated to work with PX837 lamps.

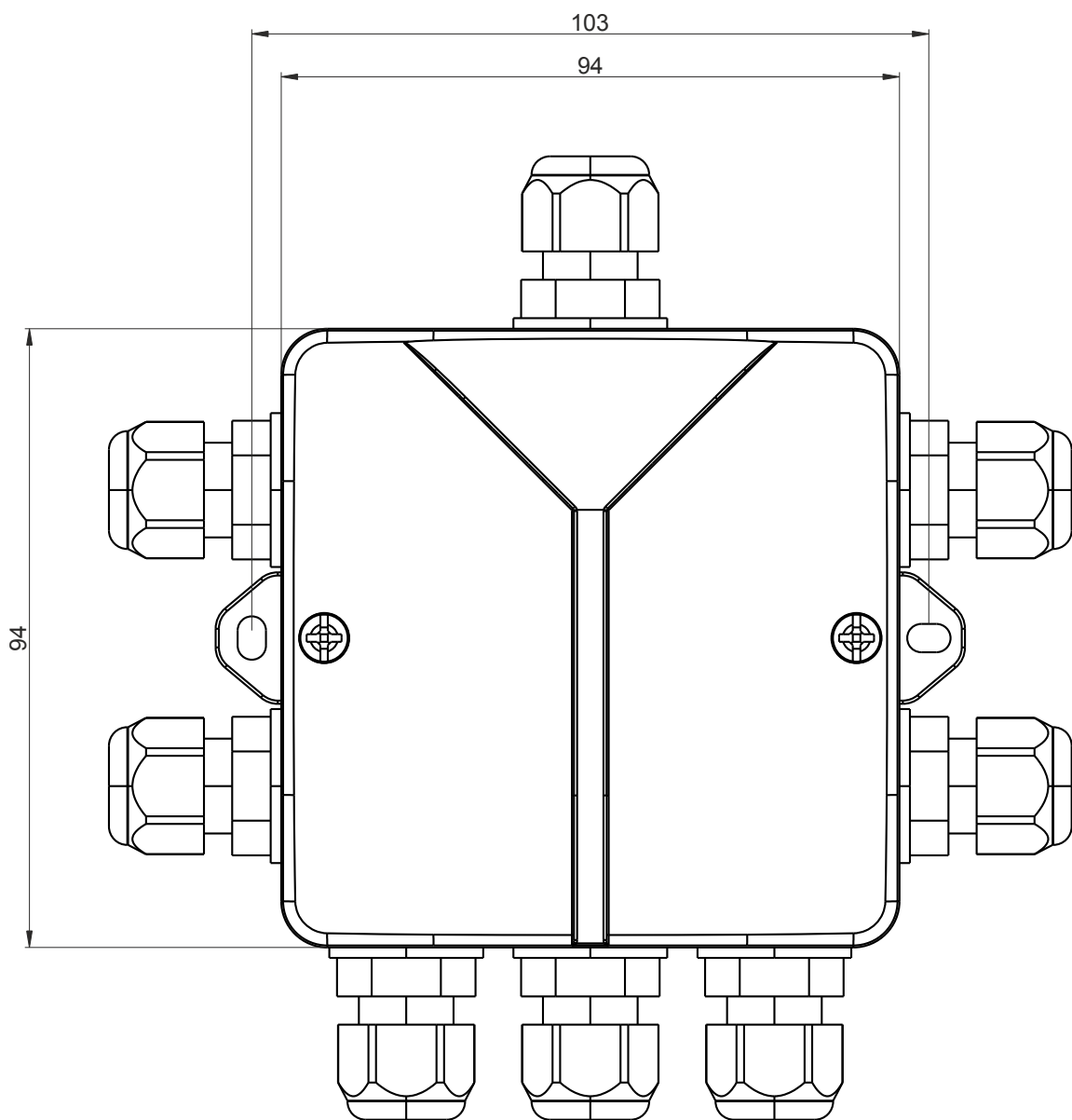
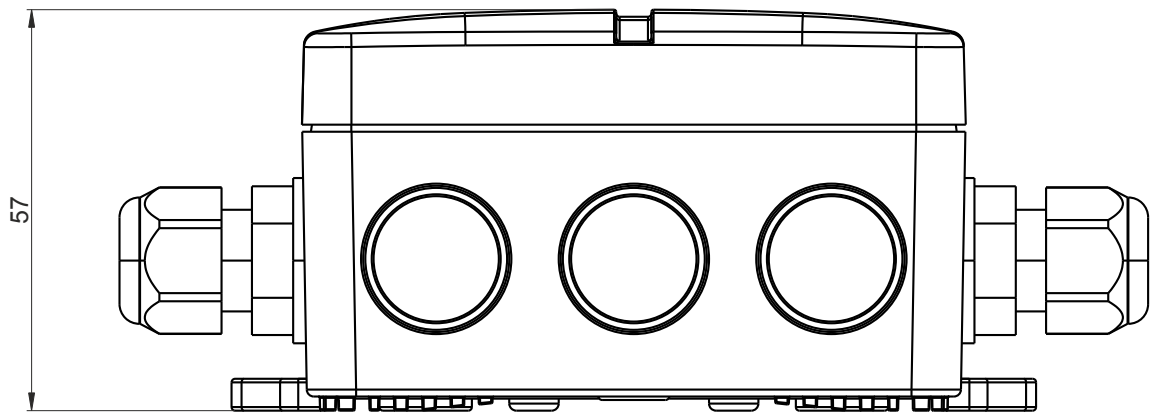
### Wire colors

#### Version 1

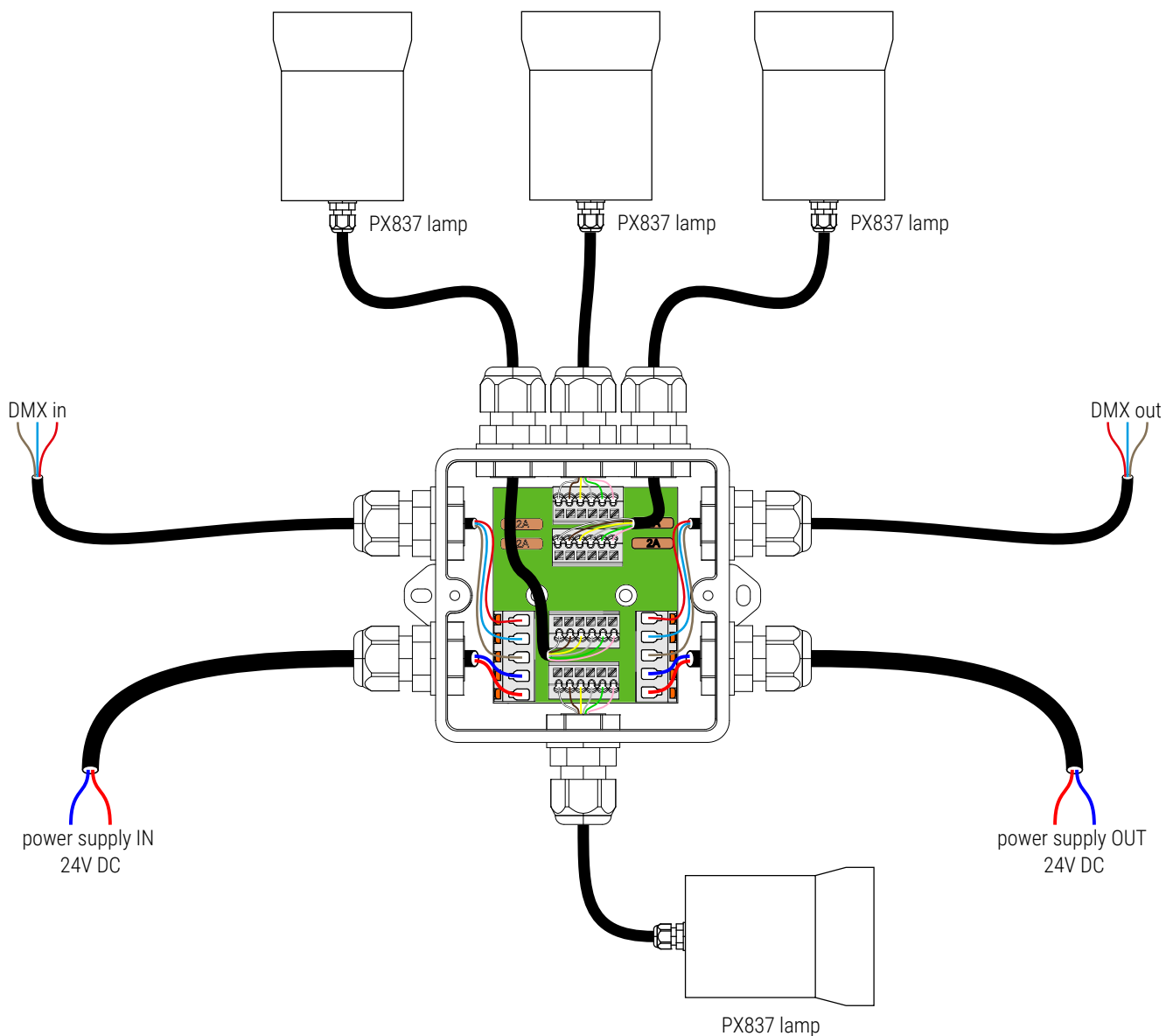
- **white** – V+ (24V DC),
- **brown** – V-,
- **yellow** – DMX- IN,
- **gray** – DMX- OUT,
- **green** – DMX+ IN,
- **pink** – DMX+ OUT.

#### Version 2

- **red** – V+ (24V DC),
- **red-black** – V-,
- **green-black** – DMX- IN,
- **blue-black** – DMX- OUT,
- **green** – DMX+ IN,
- **blue** – DMX+ OUT.



# Connection diagram



## Technical data

---

type	PX838
number of lamp outputs	4
housing	plastic
number of cable gland	8
IP class	IP65
color	black
weight	0.3kg
dimensions	width: 94mm height: 94mm depth: 57mm