

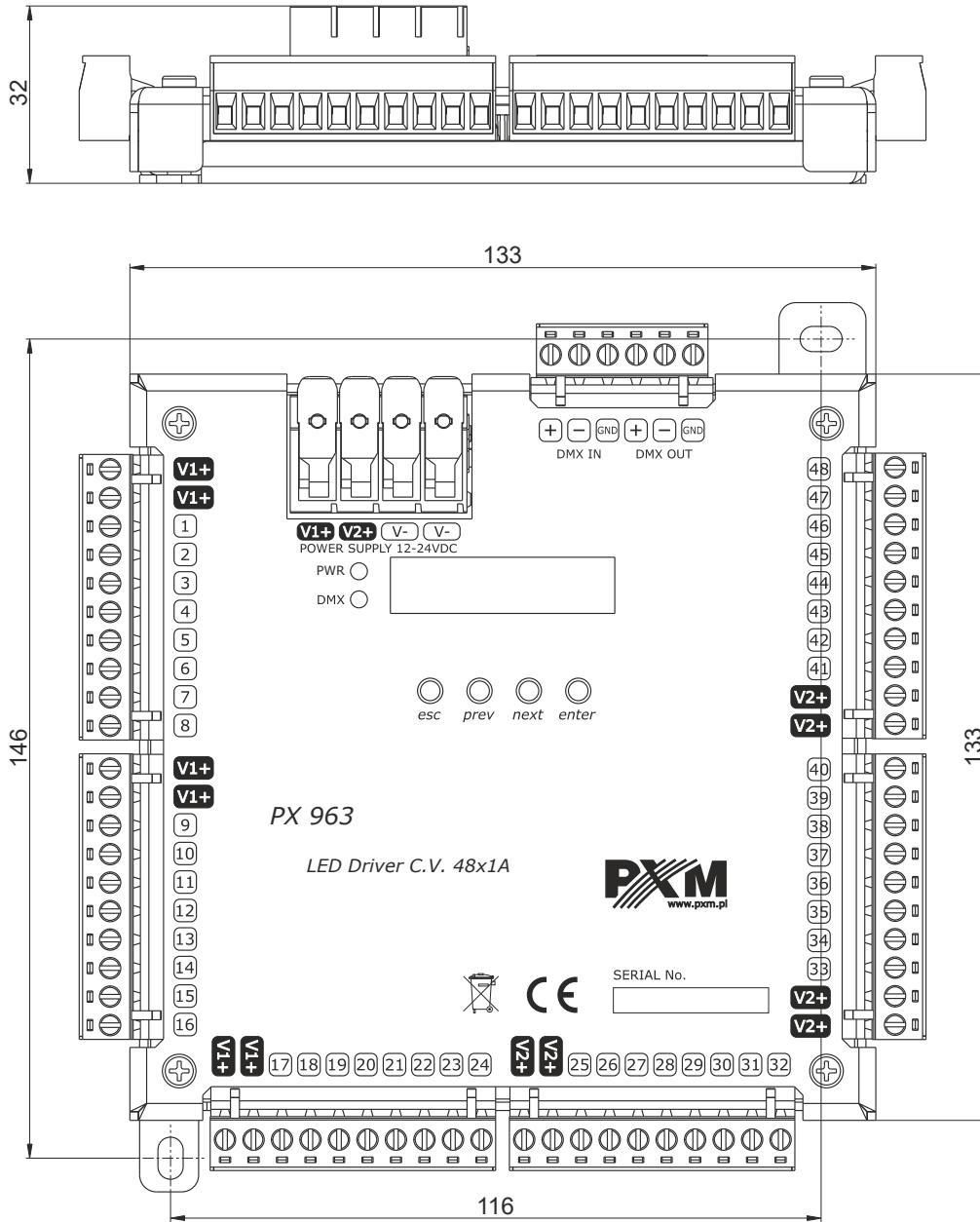
Device description

PX963 is a 48-channel voltage driver designed for RGB matrix systems, perfect for controlling lighting of large surfaces composed of many modular elements. An example of this are facades – LED screens.

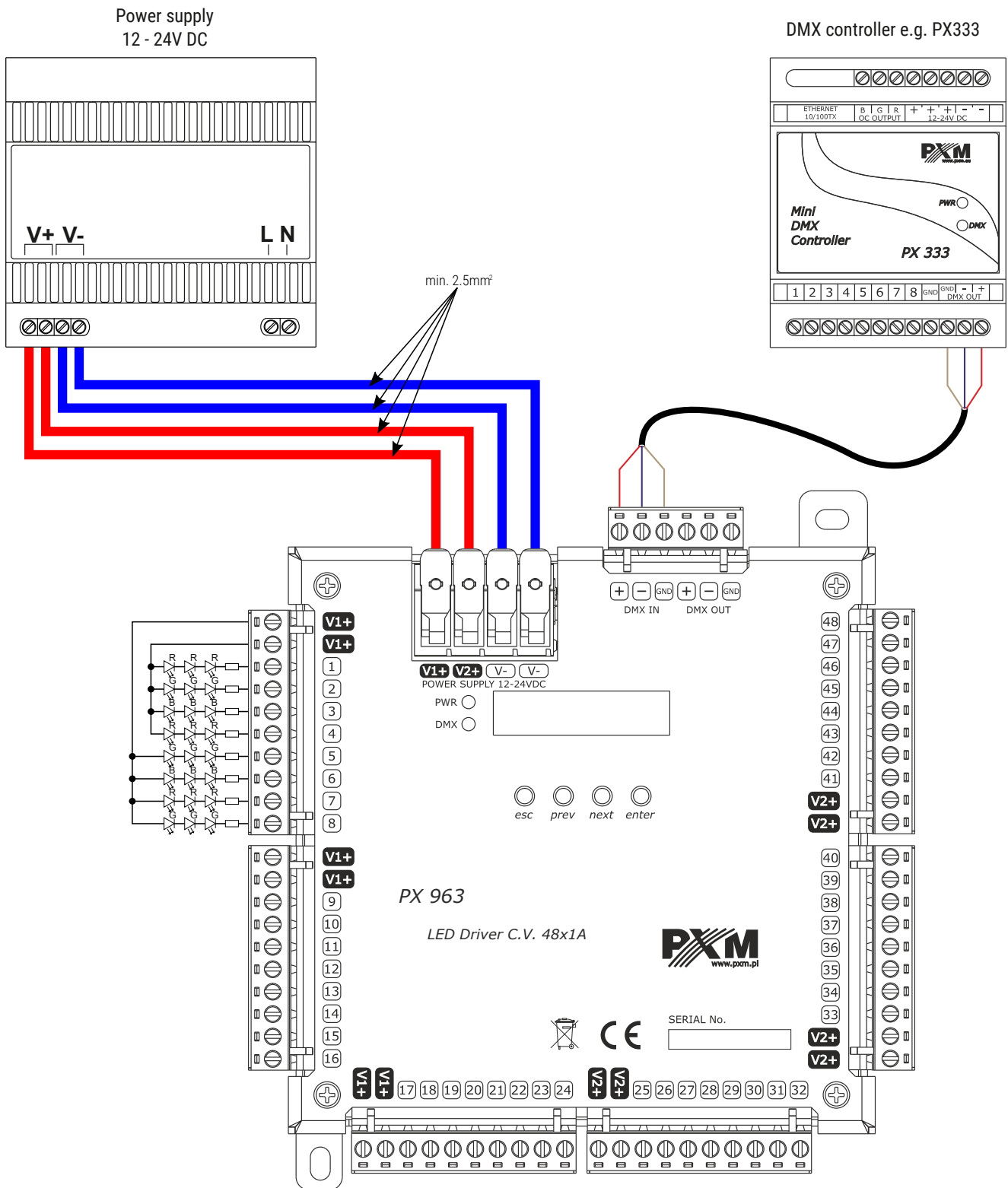
Using the built-in DMX signal receiver, it is possible to control all 48 channels via the DMX protocol. A wide supply voltage range (12 – 24V DC) and high current capacity of the outputs (max. 1A per channel) allow for the connection of large numbers of LEDs – and thus the effect of uniform illumination of the entire surface. The device is equipped with a special high-current connector for connecting the power supply. The interpolated output control resolution of 16 bit makes the brightness control of individual channels completely smooth. An additional advantage is the implementation of modern "flicker free" technology, i.e. the possibility of selecting a 0.125 to 20kHz frequency, with its help the PX963 driver can be successfully used in installations created for the needs of the television industry. In addition, the RDM protocol has been implemented in the PX963. The device is equipped with a large LCD display (2 x 16), an intuitive menu and 4 buttons, which makes configuration easier.

PX963 allows for individual DMX channel addressing and defining an individual control curve for each channel. In the absence of a DMX signal, the user can define one scene. The driver is manufactured in a "common anode" version, which allows for connecting LEDs with a common plus.

The housing is designed for wall mounting, and screw connectors enable quick and easy installation.



Connection diagram



NOTE! Power cables must be connected to all input connectors on the device.

Technical data

type	PX963
power supply	12 – 24V DC
DMX channels	512
RDM protocol support	yes
number of output channels	48
power consumption	max. 48A
power consumption without load	0.7W
interpolated output control resolution	16 bit
control frequency	0.125 – 20kHz
output load capacity	max. 1A / channel
DMX connectors	screw terminals: max. 2.5mm ²
power connectors	solid wire: 2.5 – 10mm ² stranded wire: 2.5 – 10mm ² stranded wire with ferrule: 2.5 – 6mm ²
output connectors	screw terminals: max. 2.5mm ²
weight	0.4kg
dimensions	width: 133mm height: 133mm depth: 32mm